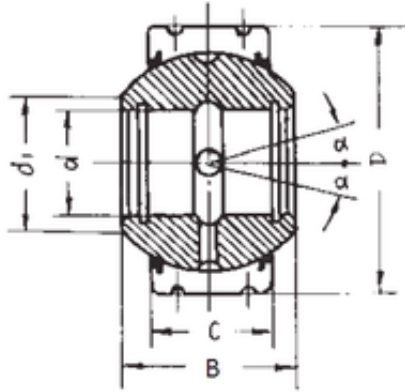




Likao Bearing Co., Ltd.

55 mm x 125 mm x 90 mm FBJ GEK55XS-2RS
plain bearings



Bearing No. GEK55XS-2RS

Size	55x125x90 mm
Bore Diameter	55 mm
Outer Diameter	125 mm
Width	90 mm
d	55 mm
D	125 mm
B	90 mm
C	64 mm
d1	63,2 mm
Angle	19 °
Weight	5,02 Kg
Basic dynamic load rating (C)	598 kN

GEK55XS-2RS Bearing 2D drawings and 3D CAD models