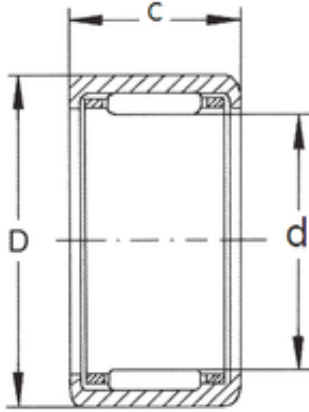




FBJ HK1012 needle roller bearings



Bearing No. HK1012

Size	10x14x12 mm
Bore Diameter	10 mm
Outer Diameter	14 mm
Width	12 mm
d	10 mm
D	14 mm
C	12 mm
Weight	0,0048 Kg
Basic dynamic load rating (C)	5 kN
Basic static load rating (C0)	6,3 kN
(Grease) Lubrication Speed	11500 r/min

HK1012 Bearing 2D drawings and 3D CAD models