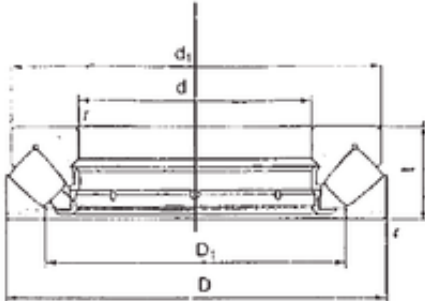




FBJ 29322M thrust roller bearings



Bearing No. 29322M

Size	110x190x48 mm
Bore Diameter	110 mm
Outer Diameter	190 mm
Width	48 mm
d	110 mm
D	190 mm
T	48 mm
d1	165,1 mm
r min.	2 mm
D1	140,6 mm
Weight	5,03 Kg
Basic dynamic load rating (C)	530 kN
Basic static load rating (C0)	1700 kN

29322M Bearing 2D drawings and 3D CAD models