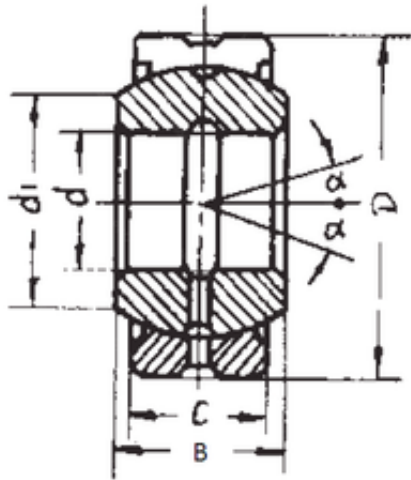




Likao Bearing Co., Ltd.

15 mm x 30 mm x 16 mm FBJ GEG15ES-2RS
plain bearings



Bearing No. GEG15ES-2RS

Size	15x30x16 mm
Bore Diameter	15 mm
Outer Diameter	30 mm
Width	16 mm
d	15 mm
D	30 mm
B	16 mm
C	10 mm
d1	19 mm
Angle	16 °
Weight	0,049 Kg
Basic dynamic load rating (C)	21 kN

GEG15ES-2RS Bearing 2D drawings and 3D CAD models